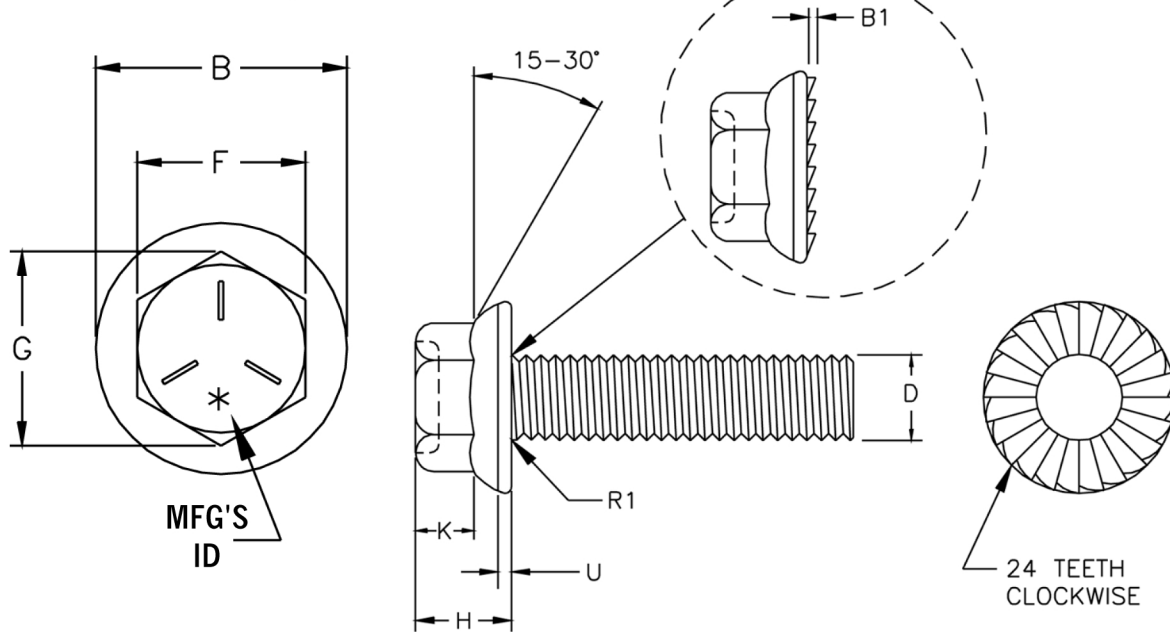


Hex Flange Bolt Serrated Grade 5 Full Thread



Nominal Size or Basic Screw Diameter	F		G		B	H	U	K	B1	R1
	Width Across Flats		Width Across Corners		Flange Dia	Height of Head	Flange Thickness	Wrench Height	Serrated Depth	Fillet
	MAX	MIN	MAX	MIN	MAX	MAX	MIN	MIN	MIN	MIN
#6	0.250	0.244	0.297	0.272	0.350	0.154	0.027	0.090	0.006	0.011
#8	0.250	0.244	0.297	0.272	0.374	0.181	0.027	0.114	0.006	0.011
#10	0.312	0.305	0.368	0.340	0.454	0.209	0.031	0.134	0.009	0.011
1/4	0.375	0.367	0.433	0.409	0.56	0.28	0.04	0.17	0.011	0.015
5/16	0.500	0.489	0.577	0.548	0.68	0.32	0.05	0.21	0.013	0.015
3/8	0.562	0.551	0.650	0.618	0.81	0.39	0.06	0.25	0.015	0.015
7/16	0.625	0.612	0.722	0.685	0.93	0.46	0.07	0.30	0.018	0.015
1/2	0.750	0.736	0.866	0.825	1.07	0.51	0.08	0.34	0.019	0.015
5/8	0.937	0.922	1.083	1.034	1.33	0.62	0.10	0.42	0.020	0.020

Specification Requirements:

Dimensions: IFI-111 (02) See above.

Length Tolerance: Diameters #4 - #10 ASME B18.6.3

1/4"-3/4" - ASME B18.2.1

Material &

Mechanical Properties: SAE J429 Grade 5

Thread Requirements: ASME B1.1 UNC or UNF Class 2A.

Head Marking: Manufacturer ID and 3 radial lines, 120 degrees apart.