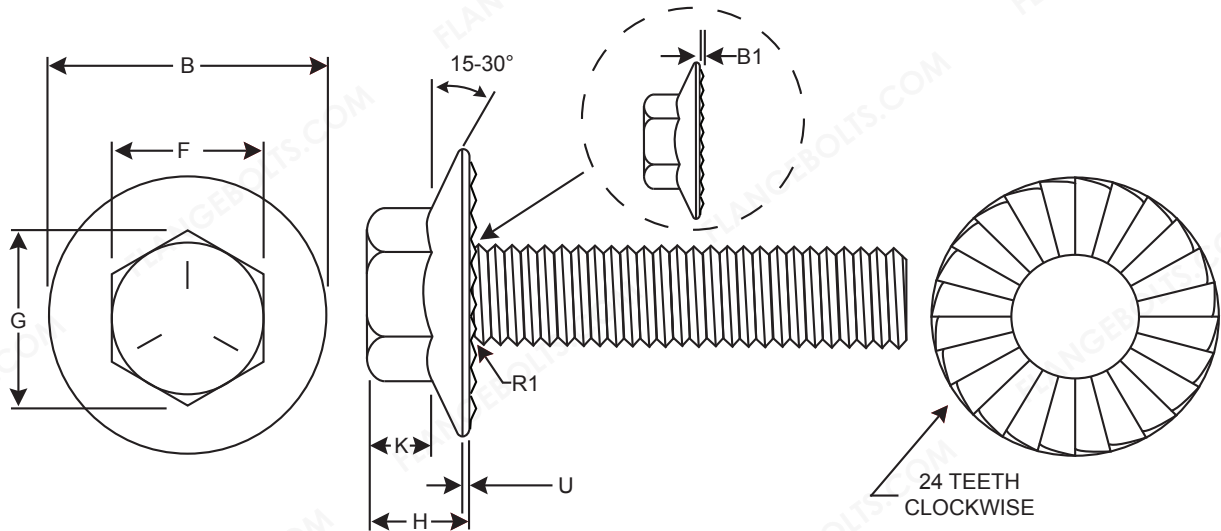


## GRADE 5 HEX LARGE SERRATED FLANGE SCREWS



| Nominal Size or Basic Bolt Diameter | F                  |       | G                    |       | B          | H              | U                | K             | B1              | R1     |
|-------------------------------------|--------------------|-------|----------------------|-------|------------|----------------|------------------|---------------|-----------------|--------|
|                                     | Width Across Flats |       | Width Across Corners |       | Flange Dia | Height of Head | Flange Thickness | Wrench Height | Serration Depth | Fillet |
|                                     | Max                | Min   | Max                  | Min   | Max        | Max            | Min              | Min           | Min             | Min    |
| 1/4                                 | 0.375              | 0.367 | 0.433                | 0.409 | 0.630      | 0.28           | 0.04             | 0.17          | 0.011           | 0.015  |
| 5/16                                | 0.500              | 0.489 | 0.577                | 0.548 | 0.820      | 0.32           | 0.05             | 0.21          | 0.013           | 0.015  |
| 3/8                                 | 0.562              | 0.551 | 0.650                | 0.618 | 0.915      | 0.39           | 0.06             | 0.25          | 0.015           | 0.015  |

### SPECIFICATIONS

MATERIAL: GRADE 5 PER SAE J429

TENSILE STRENGTH: 120,000 PSI MIN

DIMENSIONS: IFI-111 (2002) SERRATED LARGE FLANGE

THREAD LENGTH: FULLY THREADED

SHEAR CUT MACHINE SCREW THREADS PER ASME B18.6.3

FINISH: ZINC CLEAR CR+3