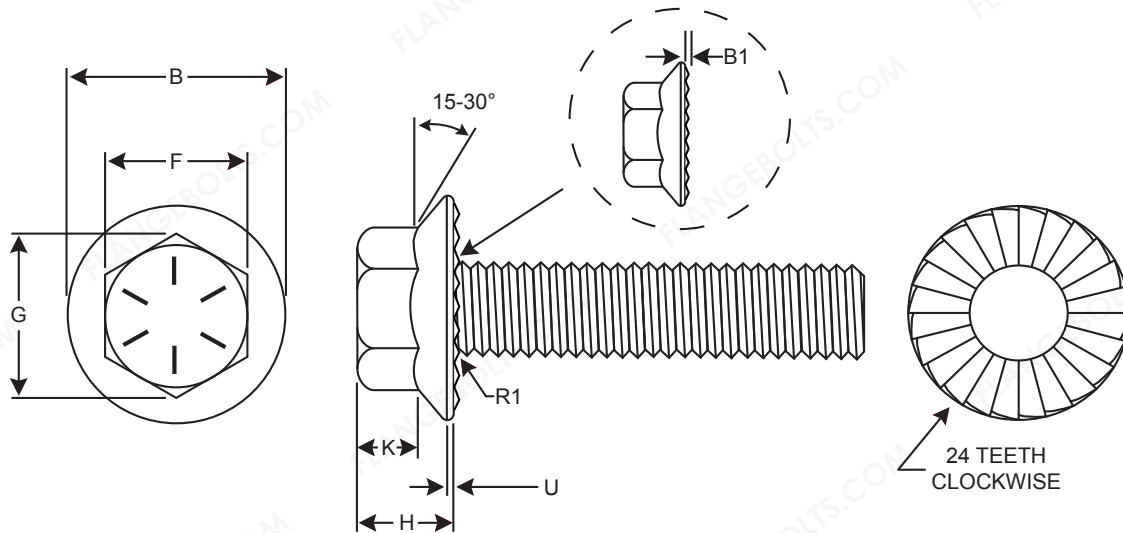


GRADE 8 SERRATED HEX FLANGE SCREWS



Nominal Size or Basic Bolt Diameter	F		G		B	H	U	K	B1	R1
	Width Across Flats		Width Across Corners		Flange Dia	Height of Head	Flange Thickness	Wrench Height	Serration Depth	Fillet
	Max	Min	Max	Min	Max	Max	Min	Min	Min	Min
1/4	0.375	0.367	0.433	0.409	0.56	0.28	0.04	0.17	0.011	0.015
5/16	0.500	0.489	0.577	0.548	0.68	0.32	0.05	0.21	0.013	0.015
3/8	0.562	0.551	0.650	0.618	0.81	0.39	0.06	0.25	0.015	0.015

SPECIFICATIONS

MATERIAL: GRADE 8 PER SAE J429

TENSILE STRENGTH: 150,000 PSI MIN

DIMENSIONS: IFI-111 (2002) SERRATED

THREAD LENGTH: FULLY THREADED

SHEAR CUT MACHINE SCREW THREADS PER ASME B18.6.3

FINISH: ZINC CLEAR CR+3