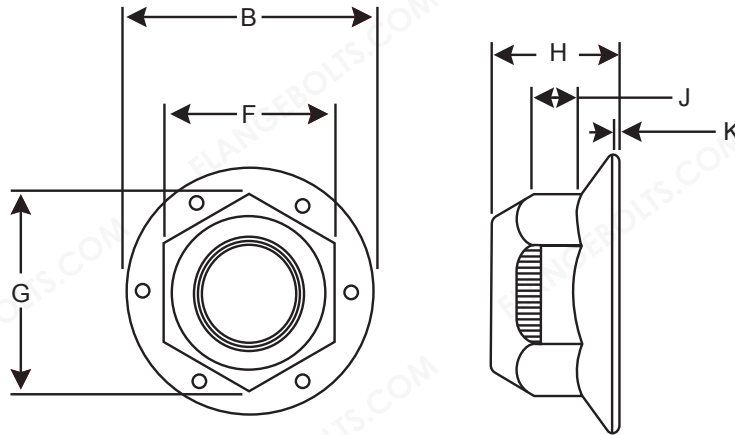


GRADE G HEX FLANGE LOCK NUTS



Nominal Size or Basic Bolt Diameter	F			B	H		J	K
	Width Across Flats			Flange Dia	Nut Thickness		Wrench Height	Flange Thickness
	Nom	Max	Min	Max	Max	Min	Min	Min
1/4	7/16	0.4385	0.428	0.560	0.300	0.265	0.14	0.04
5/16	1/2	0.5020	0.489	0.680	0.365	0.320	0.17	0.05
3/8	9/16	0.5645	0.551	0.810	0.425	0.404	0.20	0.06
7/16	11/16	0.6895	0.675	0.930	0.495	0.457	0.23	0.07
1/2	3/4	0.7520	0.736	1.070	0.555	0.528	0.26	0.08
5/8	15/16	0.9395	0.922	1.330	0.690	0.646	0.32	0.10
3/4	1-1/8	1.1270	1.088	1.585	0.825	0.742	0.38	0.11

SPECIFICATIONS

MATERIAL: GRADE G (GRADE 8 EQUIVALENT)

PREVAILING TORQUE: IFI-100/107

PROOF LOAD: PER IFI-100

DIMENSIONS: PER IFI-100/107

FINISH: PHOSHPATE & OIL