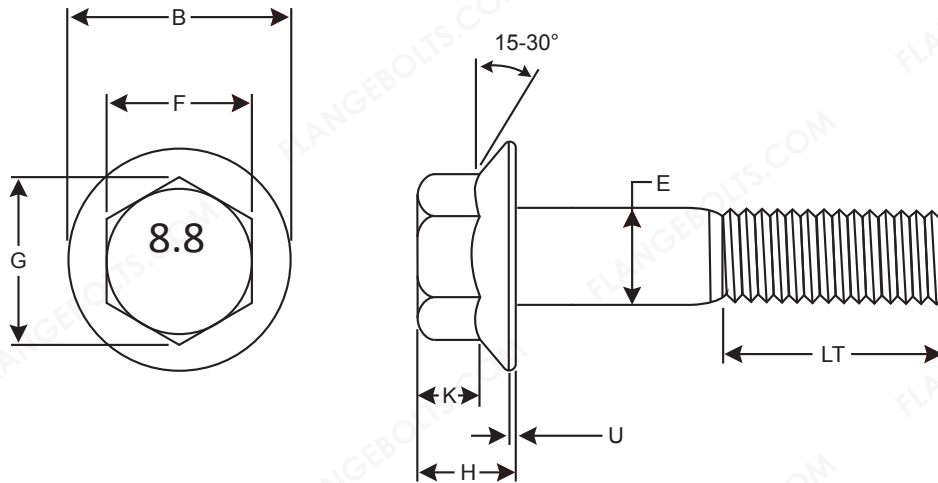


CLASS 8.8 HEX FLANGE SCREWS



Nominal Size or Basic Bolt Diameter	F		G		B	E		H	U	K
	Width Across Flats		Width Across Corners		Flange Dia	Body Diameter		Height of Head	Flange Thickness	Wrench Height
	Max	Min		Min	Max	Max	Min	Max	Min	Min
M6-1.0	10.00	9.78		10.95	14.20	6.00	5.82	6.60	1.10	2.50
M8-1.25	13.00	12.73		14.26	18.00	8.00	7.78	8.10	1.20	3.20
M10-1.5	15.00	14.73		16.50	22.30	10.00	9.78	9.20	1.50	3.60
M12-1.75	16.00	15.73		17.62	26.60	12.00	11.73	11.50	1.80	4.60

Thread Length	DIAMETER	FULL THREAD OR PARTIAL THREAD		PARTIAL THREAD	PARTIAL THREAD COLUMN MIN THREAD LENGTH
	M6	12mm	through	20mm	25mm & LONGER ▶
M8	16mm	through	30mm	35mm & LONGER ▶	Min 22mm
M10	20mm	through	35mm	40mm & LONGER ▶	Min 26mm
M12	25mm	through	40mm	45mm & LONGER ▶	Min 30mm

SPECIFICATIONS

MATERIAL: CLASS 8.8 PER ISO 898-1

TENSILE STRENGTH: 800N/MM2 MINIMUM

DIMENSIONS: PER DIN 6921 (1983)

FINISH: ZINC YELLOW CR+6