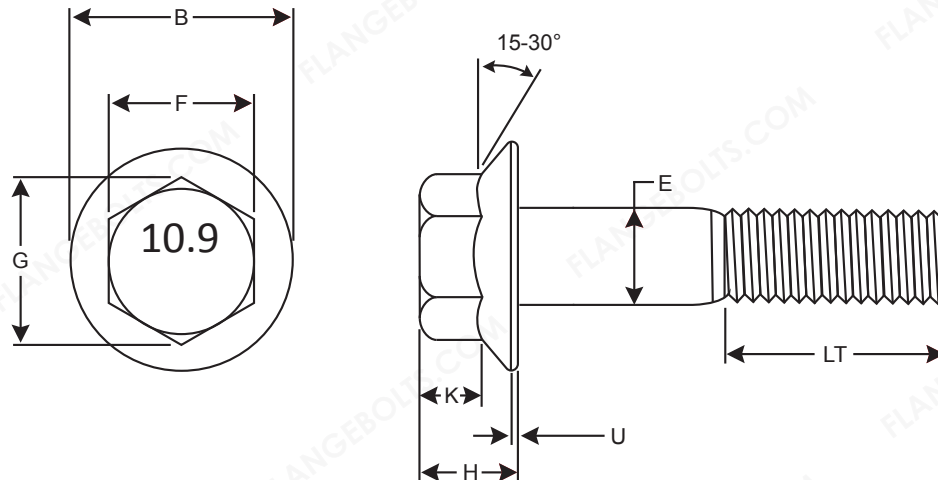


## CLASS 10.9 HEX FLANGE SCREWS



Nominal Size or Basic Bolt Diameter	F		G		B	E		H	U	K
	Width Across Flats		Width Across Corners		Flange Dia	Body Diameter		Height of Head	Flange Thickness	Wrench Height
	Max	Min		Min	Max	Max	Min	Max	Min	Min
M5-0.80	8.00	7.78		8.71	11.80	5.00	4.82	5.40	1.00	2.00
M6-1.0	10.00	9.78		10.95	14.20	6.00	5.82	6.60	1.10	2.50
M8-1.25	13.00	12.73		14.26	18.00	8.00	7.78	8.10	1.20	3.20
M10-1.5	15.00	14.73		16.50	22.30	10.00	9.78	9.20	1.50	3.60
M12-1.75	16.00	15.73		17.62	26.60	12.00	11.73	11.50	1.80	4.60
M14-2.0	18.00	17.73		19.86	30.50	14.00	13.73	12.80	2.10	5.10
M16-2.0	21.00	20.67		23.15	35.00	16.00	15.73	14.40	2.40	5.80

Thread Length	DIAMETER	FULL THREAD OR PARTIAL THREAD LENGTH	PARTIAL THREAD	PARTIAL THREAD COLUMN MIN THREAD LENGTH
	M5		THROUGH 20mm	25mm & LONGER ▶
M6		THROUGH 20mm	25mm & LONGER ▶	Min 18mm
M8		THROUGH 30mm	35mm & LONGER ▶	Min 22mm
M10		THROUGH 35mm	40mm & LONGER ▶	Min 26mm
M12		THROUGH 40mm	45mm & LONGER ▶	Min 30mm
M14		THROUGH 45mm	50mm & LONGER ▶	Min 34mm
M16		THROUGH 50mm	55mm & LONGER ▶	Min 38mm

## SPECIFICATIONS

**MATERIAL: CLASS 10.9 PER ISO 898-1**  
**TENSILE STRENGTH: 1040N/MM2 MINIMUM**  
**DIMENSIONS: PER DIN 6921 (1983)**  
**FINISH: PHOSPHATE & OIL**