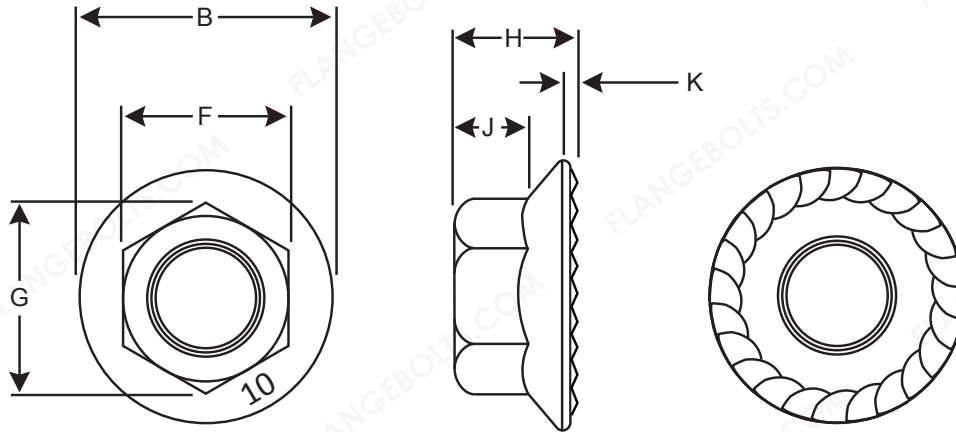


## CLASS 10 JIS SERRATED HEX FLANGE NUTS



Nominal Size or Basic Bolt Diameter	F		G	B	H		J	K
	Width Across Flats		Width Across Corners	Flange Dia	Nut Thickness		Wrench Height	Flange Thickness
	Max	Min	Max	Max	Max	Min	Min	Min
M6	10.00	9.80	11.05	14.00	6.00	5.25	3.60	0.80
M8	12.00	11.75	13.25	17.50	8.00	7.10	4.80	1.10
M10	14.00	13.75	15.51	21.00	10.00	9.10	6.00	1.20

### SPECIFICATIONS

MATERIAL: CLASS 10 PER ISO 898-2

DIMENSIONS: JIS B1190 (1987) W/ SERRATIONS

FINISH: ZINC CLEAR CR+3