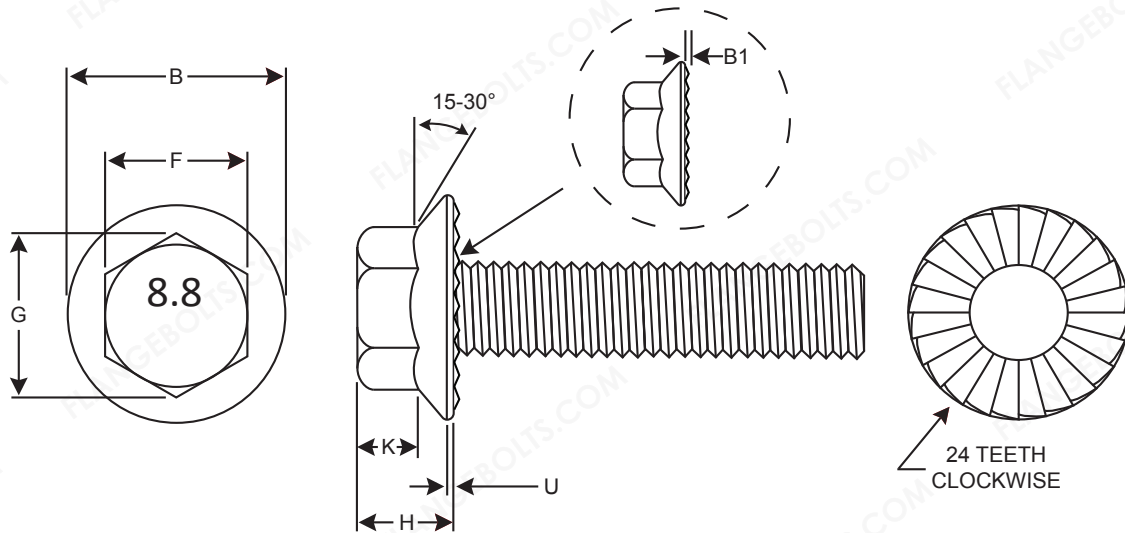


CLASS 8.8 SERRATED HEX FLANGE SCREWS



| Nominal Size or Basic Bolt Diameter | F | | G | | B | E | | H | U | K |
|-------------------------------------|--------------------|-------|----------------------|-------|------------|---------------|-------|----------------|------------------|---------------|
| | Width Across Flats | | Width Across Corners | | Flange Dia | Body Diameter | | Height of Head | Flange Thickness | Wrench Height |
| | Max | Min | | Min | Max | Max | Min | Max | Min | Min |
| M6-1.0 | 10.00 | 9.78 | | 10.95 | 14.20 | 6.00 | 5.82 | 6.60 | 1.10 | 2.50 |
| M8-1.25 | 13.00 | 12.73 | | 14.26 | 18.00 | 8.00 | 7.78 | 8.10 | 1.20 | 3.20 |
| M10-1.5 | 15.00 | 14.73 | | 16.50 | 22.30 | 10.00 | 9.78 | 9.20 | 1.50 | 3.60 |
| M12-1.75 | 16.00 | 15.73 | | 17.62 | 26.60 | 12.00 | 11.73 | 11.50 | 1.80 | 4.60 |

SPECIFICATIONS

MATERIAL: CLASS 8.8 PER ISO 898-1

TENSILE STRENGTH: 800N/MM2 MINIMUM

DIMENSIONS: PER DIN 6921 (1983)

THREAD LENGTH: FULLY THREADED

FINISH: ZINC CLEAR CR+3