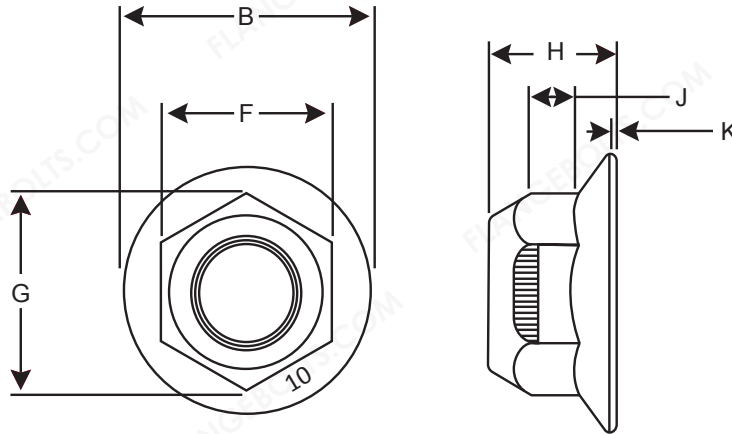


CLASS 10 HEX FLANGE LOCK NUTS



Nominal Size or Basic Bolt Diameter	F		G		B	H		J	K
	Width Across Flats		Width Across Corners		Flange Dia	Nut Thickness		Wrench Height	Flange Thickness
	Max	Min	Max	Min	Max	Max	Min	Min	Min
M6	10.00	9.78	11.55	11.05	14.20	7.30	5.70	3.10	1.10
M8	13.00	12.73	15.01	14.38	17.90	9.40	7.60	4.50	1.20
M10	15.00	14.73	17.32	16.64	21.80	11.40	9.60	5.50	1.50
M12	18.00	17.73	20.78	20.03	26.00	13.80	11.60	6.70	1.80
M14	21.00	20.67	24.25	23.35	29.90	15.90	13.30	7.80	2.10
M16	24.00	23.67	27.71	26.75	34.50	18.30	15.30	9.00	2.40

SPECIFICATIONS

MATERIAL: CLASS 10 PER ISO 898-2

DIMENSIONS: DIN 6927 PREVAILING TORQUE

FINISH: PHOSPHATE & OIL