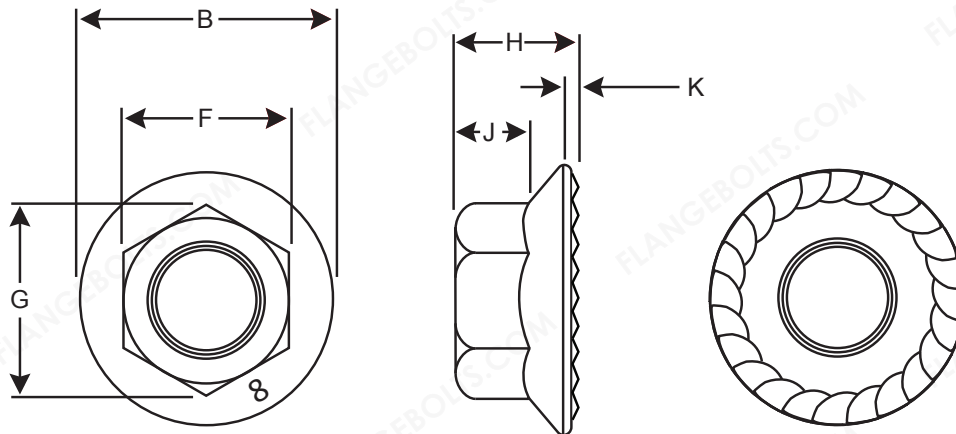


## CLASS 8 SERRATED HEX FLANGE NUTS



Nominal Size or Basic Bolt Diameter	F		G		B	H		J	K
	Width Across Flats		Width Across Corners		Flange Dia	Nut Thickness		Wrench Height	Flange Thickness
	Max	Min	Max	Min	Max	Max	Min	Min	Min
M6	10.00	9.78	11.55	11.05	14.20	6.00	5.70	3.10	1.10
M8	13.00	12.73	15.01	14.38	17.90	8.00	7.60	4.50	1.20
M10	15.00	14.73	17.32	16.64	21.80	10.00	9.60	5.50	1.50
M12	18.00	17.73	20.78	20.03	26.00	12.00	11.60	6.70	1.80

### SPECIFICATIONS

MATERIAL: CLASS 8 PER ISO 898-2

DIMENSIONS: DIN 6923 W/ SERRATIONS

FINISH: ZINC CLEAR CR+3