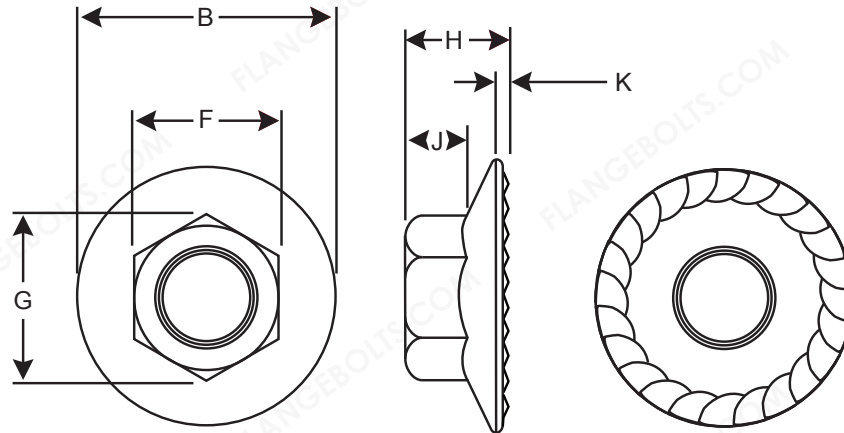


## CASE HARDENED HEX LARGE SERRATED FLANGE NUTS



Nominal Size or Basic Bolt Diameter	F		G		B		H		J	K
	Width Across Flats		Width Across Corners		Flange Dia		Nut Thickness		Wrench Height	Flange Thickness
	Max	Min	Max	Min	Max	Min	Max	Min	Min	Min
1/4	0.438	0.428	0.505	0.488	0.728	0.700	0.312	0.281	0.15	0.04
5/16	0.500	0.489	0.577	0.557	0.820	0.790	0.375	0.343	0.20	0.04
3/8	0.562	0.551	0.650	0.628	0.915	0.885	0.406	0.390	0.24	0.04

### SPECIFICATIONS

**MATERIAL: CARBON STEEL - CASE HARDENED**  
**SURFACE HARDNESS: R15N 79/86**  
**DIMENSIONS: IFI-145 (2002) OR ASME B18.2.2 (2011)**  
**FINISH: ZINC CLEAR CR+3**