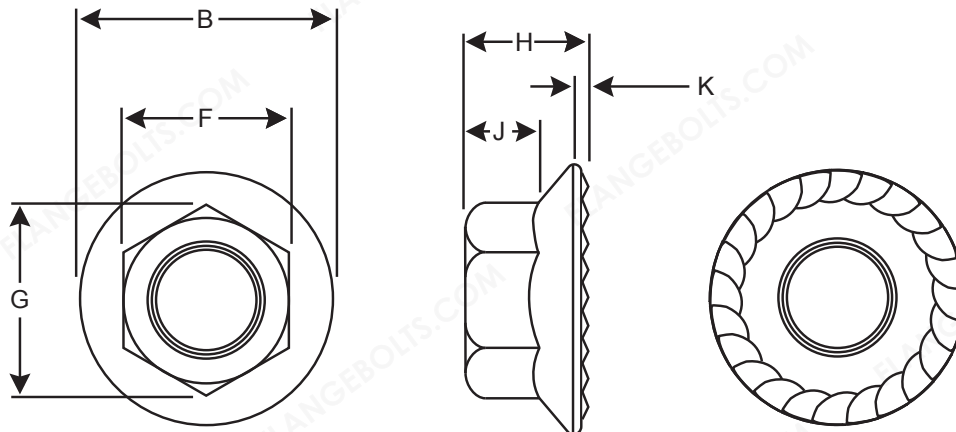


18-8 (304) STAINLESS STEEL HEX SERRATED FLANGE NUTS



Nominal Size or Basic Bolt Diameter	F		G		B		H		J	K
	Width Across Flats		Width Across Corners		Flange Dia		Nut Thickness		Wrench Height	Flange Thickness
	Max	Min	Max	Min	Max	Min	Max	Min	Min	Min
1/4	0.438	0.428	0.505	0.488	0.594	0.574	0.236	0.222	0.14	0.04
5/16	0.500	0.489	0.577	0.557	0.680	0.660	0.283	0.268	0.17	0.04
3/8	0.562	0.551	0.650	0.628	0.750	0.728	0.347	0.330	0.23	0.04

SPECIFICATIONS

MATERIAL: 18-8 (304) STAINLESS STEEL

DIMENSIONS: IFI-145 (2002) OR ASME B18.2.2 (2011) W/SERRATIONS

MECHANICAL PROPERTIES: 304, GROUP 1 CW OF ASTM F594

FINISH: PASSIVATED