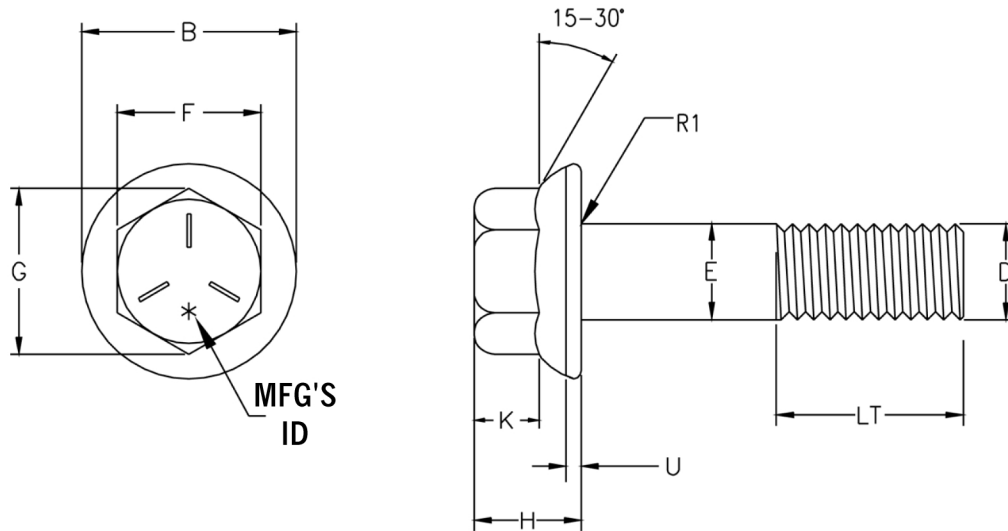


## Hex Flange Bolt Grade 5



Nominal Size or Basic Screw Diameter	F		G		B	E		H	U	K	R1	LT
	Width Across Flats		Width Across Corners		Flange Dia	Body Diameter		Height of Head	Flange Thickness	Wrench Height	Fillet	Thread Length
	MAX	MIN	MAX	MIN	MAX	MAX	MIN	MAX	MIN	MIN	MIN	MIN
1/4	0.375	0.367	0.433	0.409	0.56	0.2500	0.2450	0.28	0.04	0.17	0.015	0.750
5/16	0.500	0.489	0.577	0.548	0.68	0.3125	0.3065	0.32	0.05	0.21	0.015	0.875
3/8	0.562	0.551	0.650	0.618	0.81	0.3750	0.3690	0.39	0.06	0.25	0.015	1.000
1/2	0.750	0.736	0.866	0.825	1.07	0.5000	0.4930	0.51	0.08	0.34	0.015	1.250

### Specification Requirements:

**Dimensions:** IFI-111 (02) See above.

**Length Tolerance:** Diameters #4 - #10 ASME B18.6.3  
 1/4"-3/4" - ASME B18.2.1

### Material &

**Mechanical Properties:** SAE J429 Grade 5

**Thread Requirements:** ASME B1.1 UNC or UNF Class 2A.

**Head Marking:** Manufacturer ID and 3 radial lines 120 degrees apart.